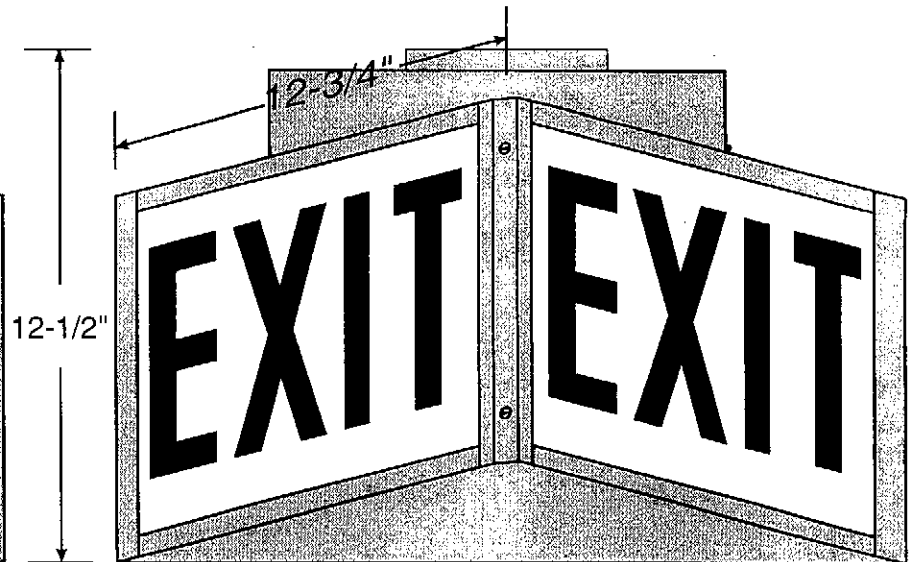
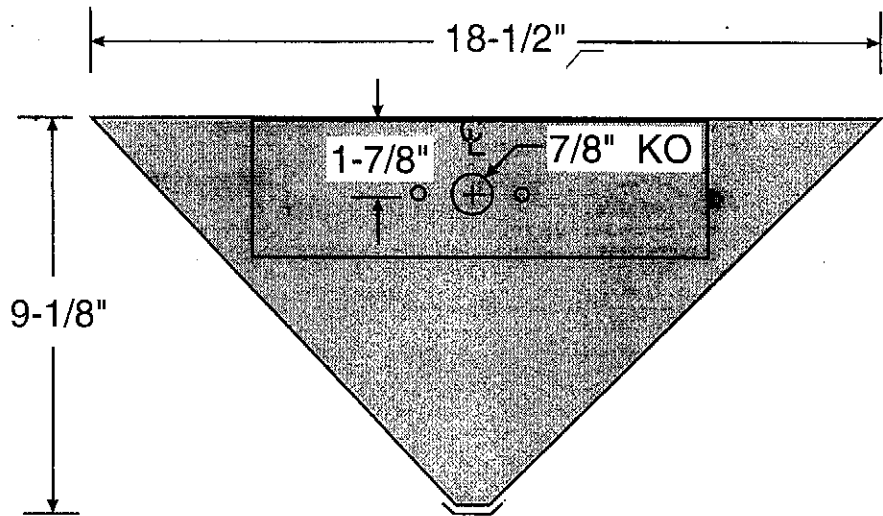


FRONT



12-1/2"



9-1/8"

TOP

Drawing #:	Date: 5-03	Revised:	Scale: NTS
------------	------------	----------	------------

SL/EM-14 FIXTURE



WESTERN LIGHTING, INC.
 2349 N. 17th Ave. Franklin Park, IL 60131
 (847)451-7200 • Fax (847)451-7275

