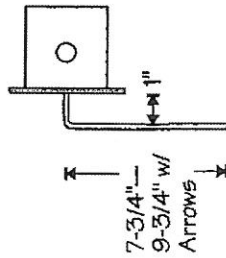
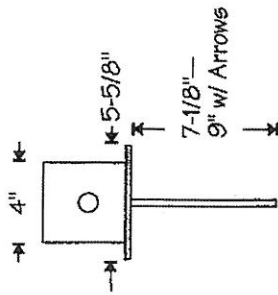
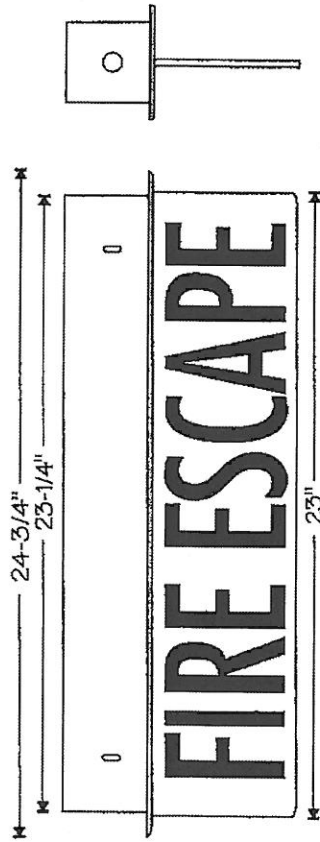
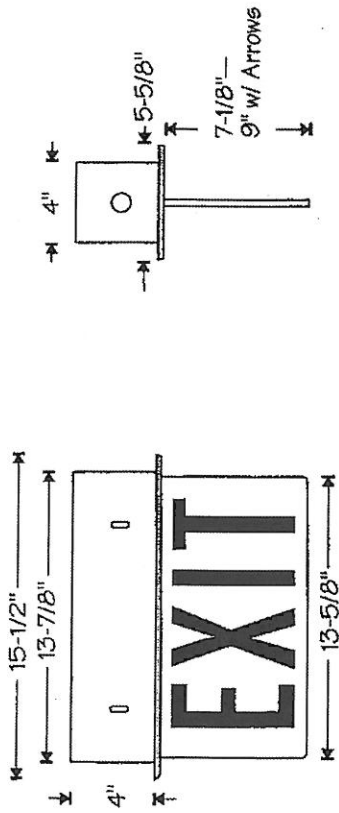
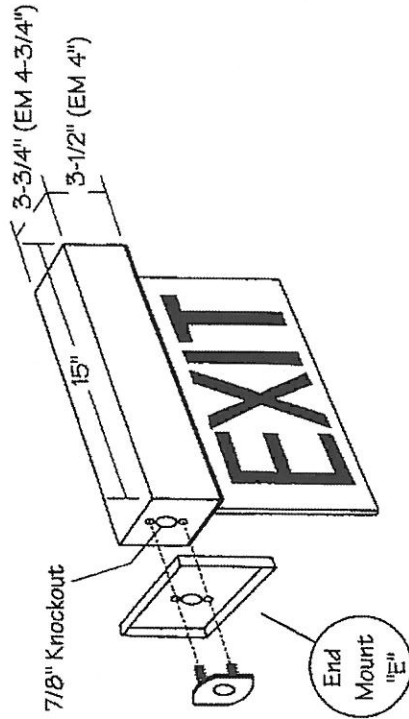
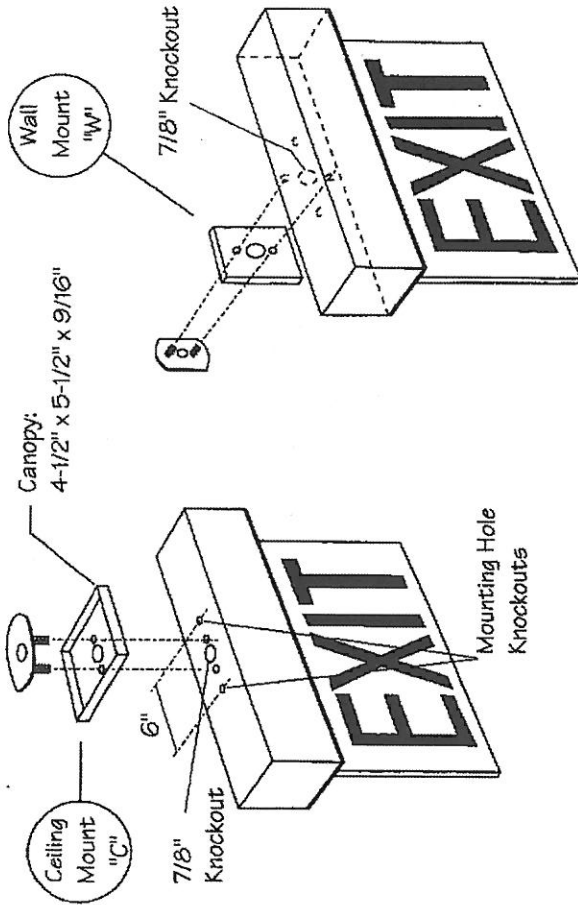


Recessed



Surface



Drawing #:	EDG1.2	Date:	10-17-00	Revised:		Scale:	NTS
------------	--------	-------	----------	----------	--	--------	-----

EDG Series Exit Fixture Dimensions

