

# EDG-LED-EM-W

BY WESTERN LIGHTING

**LED EDGE LIT EXIT SIGN  
SURFACE / WALL END MOUNTED  
ENGRAVED PANELS  
2 HOUR NI-CAD BATTERY BACK UP**

## SPECIFICATIONS

**HOUSING:** Welded 20 gauge cold rolled steel is powder coated after fabrication. Lamps, circuit board and batteries are contained in this shallow 3 1/2" deep by 3-3/4" wide by 15" long housing.  
**STAINLESS STEEL ALSO AVAILABLE**

**FINISH:** Standard is white enamel "-WH".  
Black "-BL".  
Bronze "-BZ".  
Brushed Stainless Steel "-SS".  
For custom colors, specify "-SP".  
"and consult factory".

**MOUNTING:** 7/8" diameter knockouts are provided on top center and one end. Canopy for outlet box mounting is included.

**INSCRIPTION:** Letters are a full 6" high x 3/4" stroke, deep engraved around the edges, screened on a 3/16" acrylic. A mirror divider plate is included for double panel signs.  
Red letters on clear "-R/C".  
Green letters on clear "-G/C".

**LAMPS:** Red or green low wattage, high intensity, long life Light-Emitting Diodes.  
Red LED emits 900 mcd at 660 nanometers.  
Green LED emits 1000 mcd at 525 nanometers.

**ELECTRICAL:** Operates on either 120 or 277 volt input. Internal switches are set upon installation. Low current transformer board circuit. Red is less than 57 ma @ 120V, less than 26ma @ 277v. Green less than 43 ma @ 120v, less than 20 ma @277V.

**BATTERY:** Battery back up feature uses 6v Nickel-Cadmium battery. 2 hour runtime exceeds standard "NFPA" 90 minute requirement. Extended run times up to 10 hours available with alternate batteries "-EXRUN". Consult factory.

**OPTIONS:** Inverted lettering "-INV".  
Self-diagnostic tester "-SD".  
Emergency Flash "-EFL".  
Emergency Buzzer "-EBZ".  
Fire alarm interface, Flash "-FAF".  
Fire alarm interface, Flash & Buzzer "-FAFB".

**CODES:** Complies with UL 924, NEC and NFPA 101 Life Safety Code. ETL listed.

**DIMENSIONS:** Panel size is as follows:  
Height 6-7/8"  
Width 13-5/8"

## ORDERING CODE

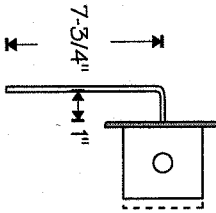
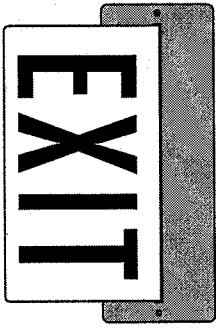
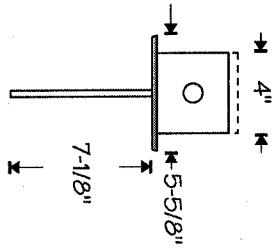
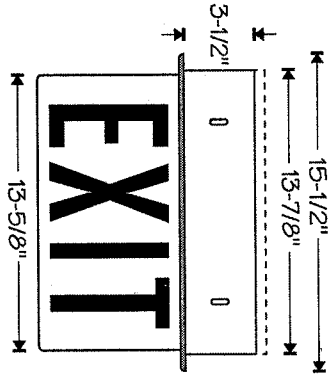
SERIES	INSCRIPTIONS	VOLT	FINISH	OPTIONS
<b>EDG-LED-EM-W</b>	<b>+ CV +</b>	<b>+</b>	<b>+</b>	<b>+</b>
W (SURFACE WALL MOUNTED)	(*CODE)-R/C (*CODE)-G/C *SEE BELOW	120 277	WH BL BZ SS or SP	INV SD EFL EBZ FAF FAFB EXRUN

CODE INSCRIPTIONS	SINGLE FACE				DOUBLE FACE			
	NO CHEVRON	CHEVRON RIGHT	CHEVRON LEFT	DOUBLE CHEVRON	NO CHEVRON	CHEVRON RIGHT	CHEVRON LEFT	DOUBLE CHEVRON
EXIT	3 EXIT	6 EXIT>	9 <EXIT	12 <EXIT>	18 EXIT	21 <EXIT	21 EXIT>	24 <EXIT>

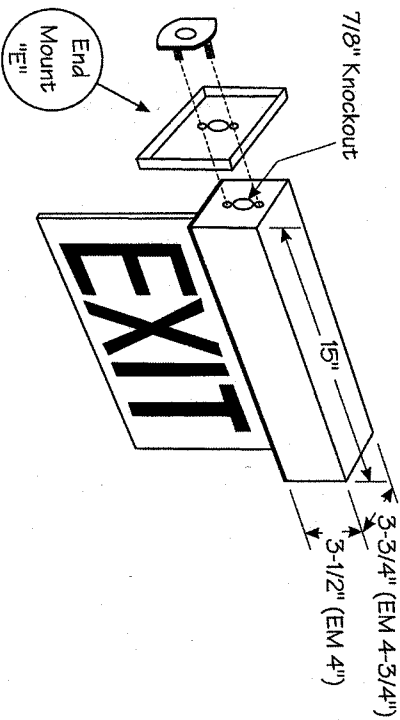
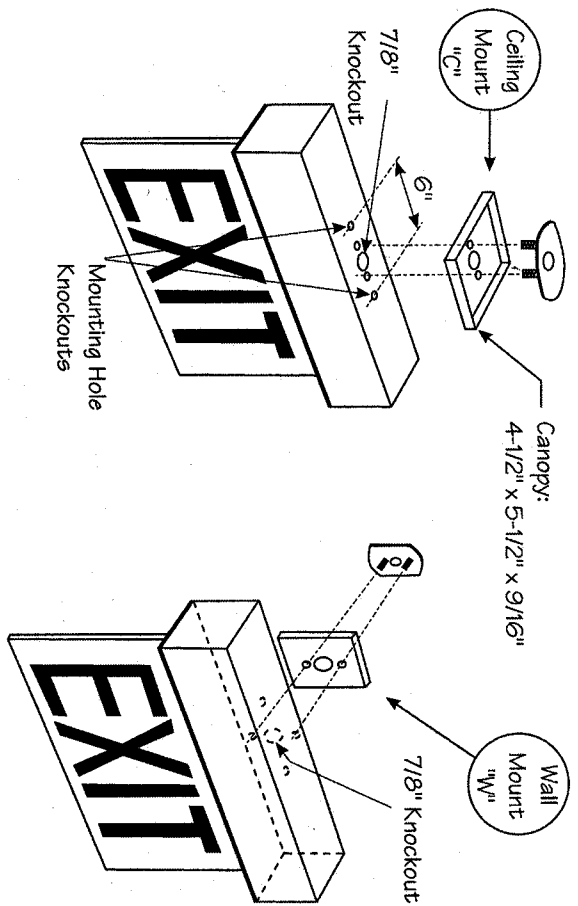
EDG-LED-E-USA-1.4  
© 1998 WESTERN LIGHTING INC



Recessed



Surface



Drawing #: EDG-LED1.1  
Date: 6-10-98  
Revised:  
Scale: NTS

# EDG-LED Series Exit Fixture Dimensions



**WESTERN LIGHTING, INC.**  
2349 N. 17th Ave. Franklin Park, IL 60131  
(847)451-7200 • Fax (847)451-7275

