

EDG-W

BY WESTERN LIGHTING

**EDGE LIT SIGN
EXIT OR STAIRS
SURFACE / CEILING MOUNTED
AC ONLY**

SPECIFICATIONS

HOUSING: Welded 20 gauge cold rolled steel is painted after fabrication. Lamps and ballasts are contained in this shallow 3 1/2" deep by 3 3/4" wide by 14 7/8" long housing. **STAINLESS STEEL ALSO AVAILABLE.** (See FINISH).

INSCRIPTION: Letters are a full 6" high x 3/4" stroke, deep engraved around the edges, screened on a 3/16" acrylic panel. The panel has polished edges for a clear crisp look. A divider plate is included for double panel signs. Arrows are full-length underneath inscription.
 Red letters on clear **"-R/C"**.
 Red letters on white **"-R/W"**.
 Green letters on clear **"-G/C"**.
 Green letters on white **"-G/W"**.
 Consult factory for special inscriptions and graphics **"-SG"**.

LAMPS: Two F8T5 fluorescent lamps are included, each with a separate ballast.

VOLTAGE: Available 120 or 277 volt input. Please specify "-120" or "-277". (Dual-voltage not available)

FINISH: Standard is white enamel **"-WH"**. Optional finishes are black **"-BL"**. Bronze **"-BZ"**. Brushed Stainless Steel specify **"-SS"**. For special colors specify **"-S/P"** and consult the factory.

MOUNTING: 7/8" diameter knockouts are provided on top center and side center. Canopy for outlet box mounting is included.

OPTIONS: For shallow mounting specify bent panel **"-BP"**, reduces height by 2 3/4" see mounting details. For inverted lettering **"-INV"**.

CODES: Complies with UL 924, NEC and NFPA 101 Life Safety Code. Fire Prevention Bureau, City of Chicago. UL listed.

DIMENSIONS: Panel size is as follows:
EXIT or STAIRS
 Height, no arrows 6 7/8"
 Height with arrows 8 3/4"
 Width 13 5/8"

ORDERING CODE

SERIES	INSCRIPTIONS			VOLT	FINISH	OPTIONS		
EDG-W	+			+	+	+		
W (WALL SURFACE MOUNTED)	(*CODE)-R/C (*CODE)-R/W (*CODE)-G/C (*CODE)-G/W (*CODE)-SG *SEE BELOW			120 277	WH BL BZ SS S/P	BP INV		
CODE	SINGLE FACE				DOUBLE FACE			
INSCRIPTIONS	NO ARROW	ARROW RIGHT	ARROW LEFT	DOUBLE ARROW	NO ARROW	ARROW RIGHT	ARROW LEFT	DOUBLE ARROW
EXIT	3	6	9	12	18	21	21	24
STAIRS	2	5	8	11	17	20	20	23

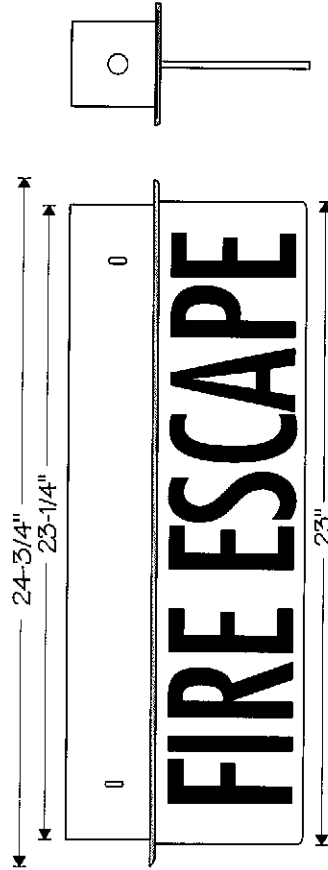
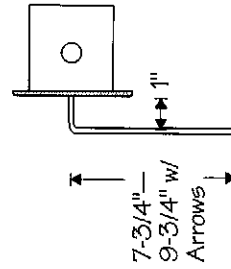
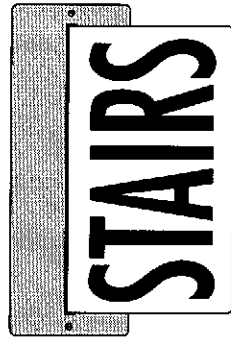
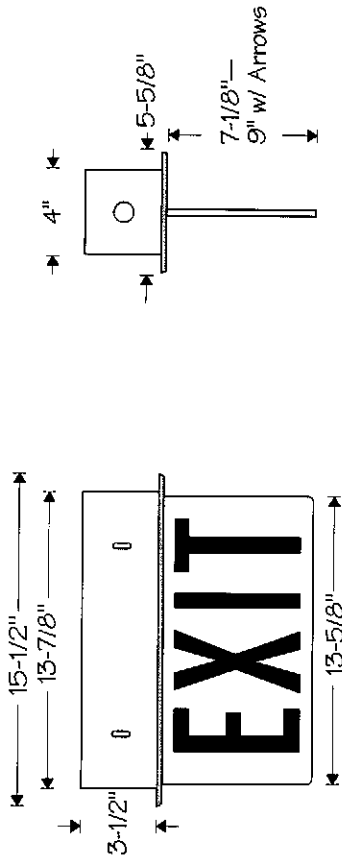


WESTERN LIGHTING, INC.

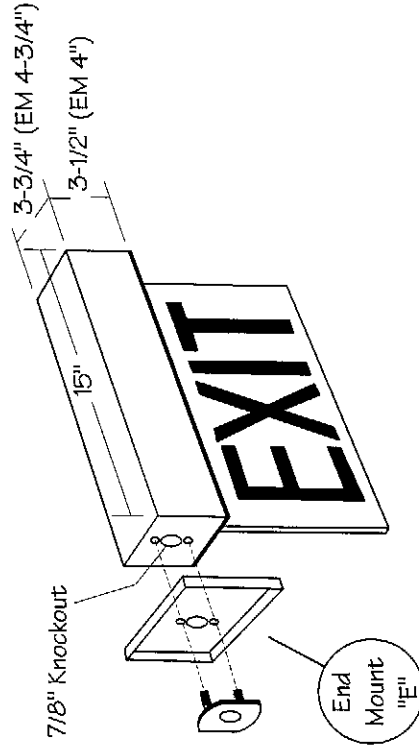
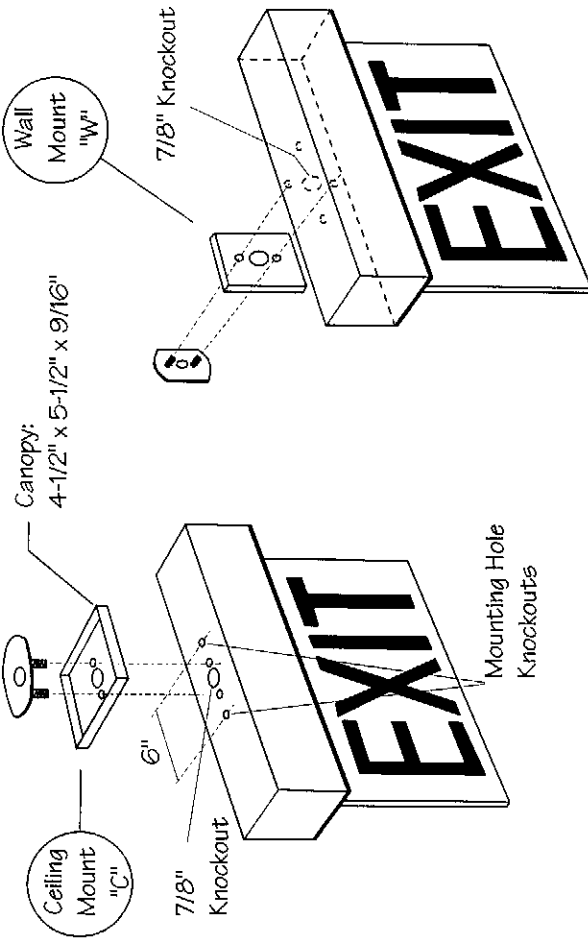
2349 N. 17th Ave. • Franklin Park, IL 60131-3432
 (847) 451-7200 • Fax: (847) 451-7275



Recessed



Surface



Drawing #: EDG1.2 Date: 10-17-00 Revised: 03-11-10 Scale: NTS

EDG Series Exit Fixture Dimensions

