

# EDG-E

BY WESTERN LIGHTING

**EDGE LIT SIGN  
EXIT, STAIRS OR FIRE ESCAPE  
SURFACE / END MOUNTED  
LED OR FLUORESCENT  
AC ONLY**

## SPECIFICATIONS

<b>HOUSING:</b>	Welded 20 gauge cold rolled steel is painted after fabrication. Lamps and ballasts are contained in this shallow 3 1/2" deep by 3 3/4" wide by 15" long housing. <b>STAINLESS STEEL ALSO AVAILABLE</b> (See finish).	<b>FINISH:</b>	Standard is white enamel <b>"-WH"</b> Optional finishes: Black <b>"-BL"</b> Dark Bronze <b>"-BZ"</b> Brushed Stainless Steel <b>"-SS"</b> For custom colors specify <b>"-S/P"</b> and consult the factory.												
<b>INSCRIPTION:</b>	Letters are a full 6" high x 3/4" stroke, deep engraved around the edges, screened on a 3/16" acrylic panel. The panel has polished edges for a clear crisp look. A divider plate is included for double panel signs. Arrows are full-length underneath inscription. Red letters on white <b>"-R/W"</b> for special inscriptions and graphics <b>"-SG"</b> Consult factory	<b>MOUNTING:</b>	7/8" diameter knockouts are provided on top center and end. Canopy for outlet box mounting is included.												
<b>LAMPS:</b>	<b>White LED array 4.5 Watt (Chicago Code)</b> <b>(5 year warranty)</b> <b>"-LED"</b> Two F8T5 fluorescent lamps, Fire Escape uses 2 F13T5 Lamps each with a separate ballast. <b>"-FL"</b>	<b>OPTIONS:</b>	Inverted lettering on panel specify <b>"-INV"</b>												
<b>VOLTAGE:</b>	Available 120 or 277 volt input. Please specify "-120" or "-277". (Dual-voltage not available)	<b>CODES:</b>	Complies with UL 924, NEC and NFPA 101 Life Safety Code. Fire Prevention Bureau, City of Chicago. ETL listed.												
		<b>DIMENSIONS:</b>	Panel size is as follows: <table border="1" style="margin-left: 20px;"> <thead> <tr> <th></th> <th>EXIT or STAIRS</th> <th>FIRE ESCAPE</th> </tr> </thead> <tbody> <tr> <td>Height, no arrows</td> <td>7-1/8"</td> <td>7-1/8"</td> </tr> <tr> <td>Height with arrows</td> <td>9"</td> <td>9"</td> </tr> <tr> <td>Width</td> <td>13 5/8"</td> <td>23"</td> </tr> </tbody> </table>		EXIT or STAIRS	FIRE ESCAPE	Height, no arrows	7-1/8"	7-1/8"	Height with arrows	9"	9"	Width	13 5/8"	23"
	EXIT or STAIRS	FIRE ESCAPE													
Height, no arrows	7-1/8"	7-1/8"													
Height with arrows	9"	9"													
Width	13 5/8"	23"													

## ORDERING CODE

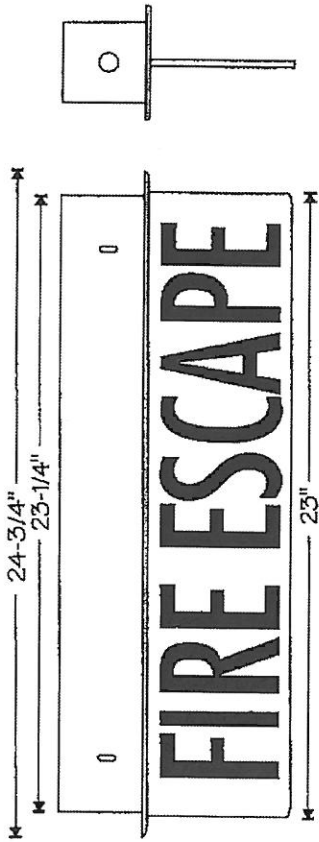
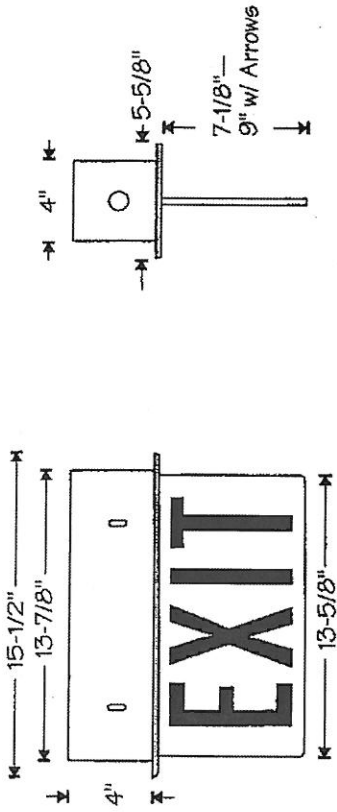
SERIES	INSCRIPTIONS			LAMP	VOLT	FINISH	OPTIONS			
<b>EDG-E</b>	<b>+</b>			<b>+</b>	<b>+</b>	<b>+</b>	<b>+</b>			
E (END SURFACE MOUNTED)	(*CODE)-R/W -SG  *SEE BELOW			LED FL	120 277	WH BL  BZ SS S/P	INV			
<b>CODE</b>	<b>SINGLE FACE</b>								<b>DOUBLE FACE</b>	
<b>INSCRIPTIONS</b>	<b>NO ARROW</b>	<b>ARROW RIGHT</b>	<b>ARROW LEFT</b>	<b>DOUBLE HEADED ARROW</b>	<b>NO ARROW</b>	<b>ARROW RIGHT</b>	<b>ARROW LEFT</b>	<b>DOUBLE HEADED ARROW</b>		
EXIT	3	6	9	12	18	21	21	24		
STAIRS	2	5	8	11	17	20	20	23		
FIRE ESCAPE	1	4	7	10	16	19	19	22		



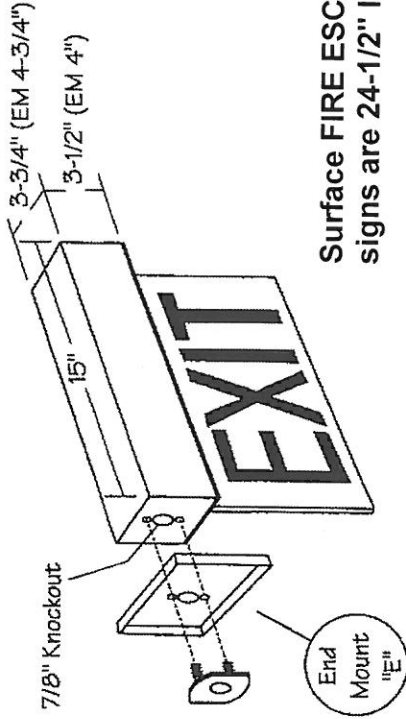
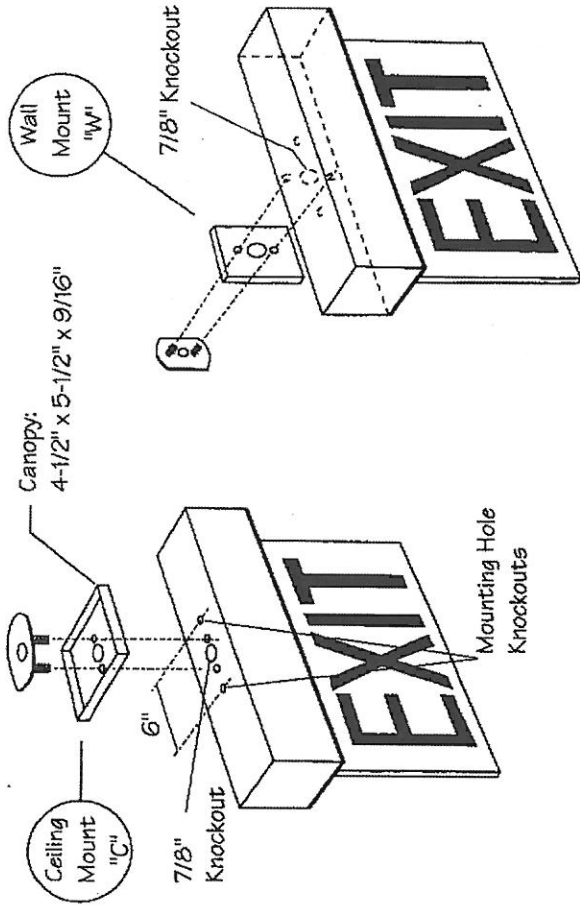
**WESTERN LIGHTING, INC.**  
2349 N. 17th Ave. • Franklin Park, IL 60131-3432  
(847) 451-7200 • Fax: (847) 451-7275



**Recessed**



**Surface**



Surface FIRE ESCAPE signs are 24-1/2" long

Drawing #:	EDG1.2	Date:	10-17-00	Revised:	4/6/16	Scale:	NTS
------------	--------	-------	----------	----------	--------	--------	-----

**EDG Series Exit Fixture Dimensions**



**WESTERN LIGHTING, INC.**  
 2349 N. 17th Ave.  
 Franklin Park, IL 60131  
 (847)451-7200 • Fax (847)451-7275