

EDG-C

BY WESTERN LIGHTING

EDGE LIT SIGN EXIT, STAIRS OR FIRE ESCAPE SURFACE / CEILING MOUNTED LED OR FLUORESCENT AC ONLY

SPECIFICATIONS

HOUSING: Welded 20 gauge cold rolled steel is painted after fabrication. Lamps and ballasts are contained in this shallow 3 1/2" deep by 3 3/4" wide by 14 7/8" long housing.
STAINLESS STEEL ALSO AVAILABLE (See FINISH).

INSCRIPTION: Letters are a full 6" high x 3/4" stroke, deep engraved around the edges, screened on a 3/16" acrylic panel. The panel has polished edges for a clear crisp look. A divider plate is included for double panel signs.
Arrows are full-length underneath inscription.
Red letters on clear "-R/C"
Red letters on white (Chicago Code) "-R/W"
Green letters on clear "-G/C"
Green letters on white "-G/W"
For special inscriptions and graphics Consult factory "-SG"

LAMPS: White LED array 4.5 Watt (Chicago Code) (5 year warranty) "-LED"
Two F8T5 fluorescent lamps are included, each with a separate ballast. "-FL"

VOLTAGE: Available 120 or 277 volt input. Please specify "-120" or "-277". (Dual-voltage not available)

FINISH: Standard is white enamel "-WH"
Optional finishes are:
Black "-BL"
Bronze "-BZ"
Brushed Stainless Steel "-SS"
For custom colors specify "-S/P" and consult the factory.

MOUNTING: 7/8" diameter knockouts are provided on top center. Canopy is included.
For pendant mounting see (OPTIONS).

OPTIONS: Pendant mounting kit is available specify "-PMK/(LENGTH)", where (LENGTH) is stem size in inches.

CODES: Complies with UL 924, NEC and NFPA 101 Life Safety Code.
Fire Prevention Bureau, City of Chicago.
ETL listed.

DIMENSIONS: Panel size is as follows:

	EXIT or STAIRS	FIRE ESCAPE
Height, no arrows	7-1/8"	7-1/8"
Height with arrows	9"	9"
Width	13 5/8"	23"

ORDERING CODE

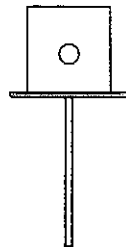
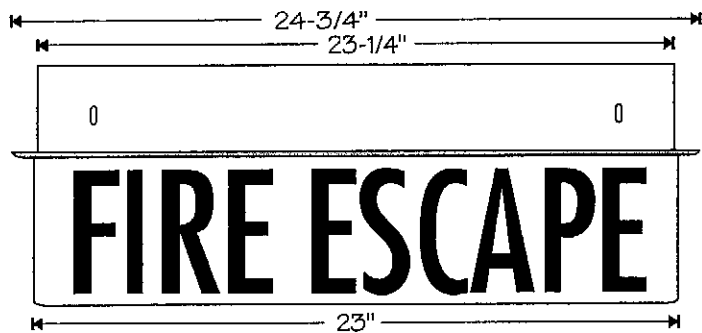
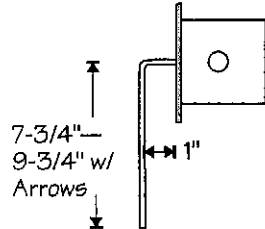
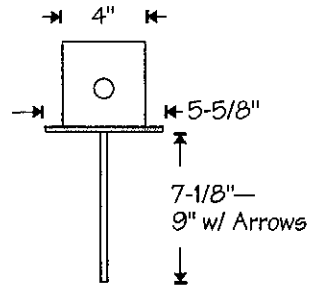
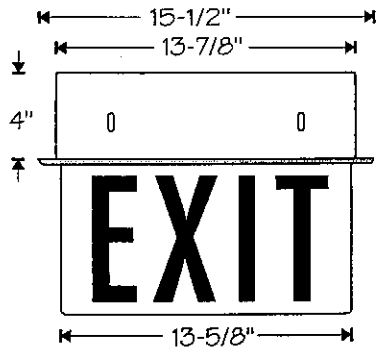
OPTIONS	INSCRIPTIONS	LAMP	VOLT	FINISH	OPTIONS			
EDG-C	+	+	+	+	+			
C (CEILING SURFACE MOUNTED)	(*CODE)-R/C (*CODE)-R/W (*CODE)-G/C (*CODE)-G/W (*CODE)-SG *SEE BELOW	LED FL	120 277	WH BL BZ SS S/P	PMK/(LENGTH)			
CODE	SINGLE FACE				DOUBLE FACE			
INSCRIPTIONS	NO ARROW	ARROW RIGHT	ARROW LEFT	DOUBLE HEADED ARROW	NO ARROW	ARROW RIGHT	ARROW LEFT	DOUBLE HEADED ARROW
EXIT	3	6	9	12	18	21	21	24
STAIRS	2	5	8	11	17	20	20	23
FIRE ESCAPE	1	4	7	10	16	19	19	22



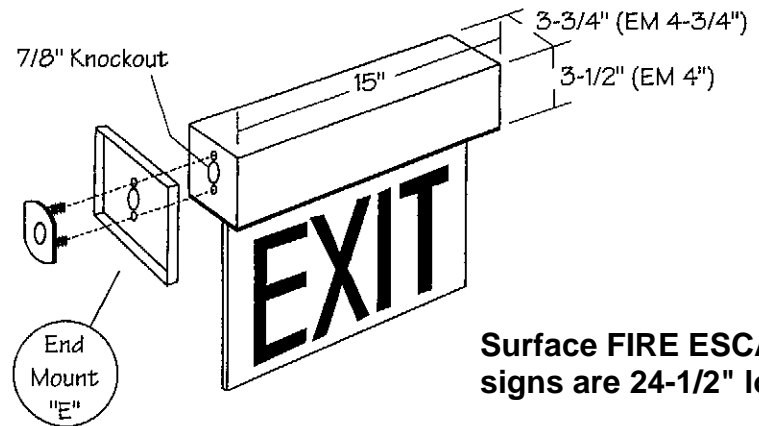
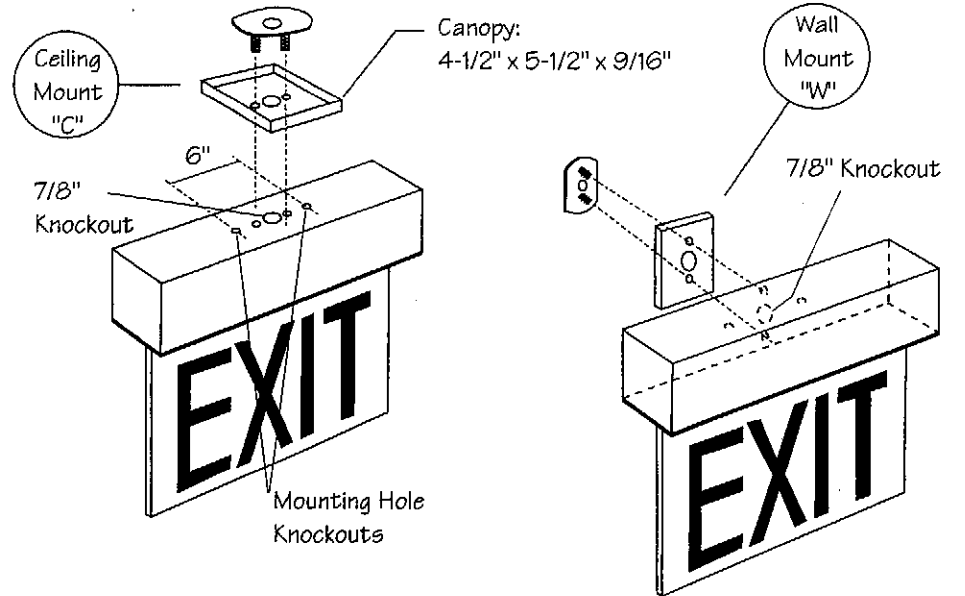
WESTERN LIGHTING, INC.
2349 N. 17th Ave. • Franklin Park, IL 60131-3432
(847) 451-7200 • Fax: (847) 451-7275



Recessed



Surface



Surface FIRE ESCAPE signs are 24-1/2" long

Drawing #: EDG1.2	Date: 10-17-00	Revised: 4/6/16	Scale: NTS
----------------------	-------------------	--------------------	---------------

EDG Series Exit Fixture Dimensions



WESTERN LIGHTING, INC.
2349 N. 17th Ave. Franklin Park, IL 60131
(847)451-7200 • Fax (847)451-7275

